

## Two Tone Finish Specifications:

For the Two Tone finish option you have the choice of using two TFL finishes with the matching edgebanding. This allows you to apply the two desired finishes on up to four areas of a single unit, based upon the following schedule:

- Finish #1 – The TFL top surface
  - Finish #2 – The edgebanding for the top surface
  - Finish #3 – The complete shell / body of the unit ( Excluding door or drawer faces )
  - Finish #4 – Door and/or drawer faces.
- Note: All faces on a given unit must be the same finish.  
Edges of the door or drawer face are finished the same as the face.

Example: Two Tone finish combination selected using: Kona Pearwood (KP) TFL and Winter White (WW) TFL.  
 Desk top surface ( Finish #1 ) Kona Pearwood or Winter White TFL.  
 Desk top edges ( Finish #2 ) Kona Pearwood or Winter White edgebanding.  
 Desk shell / body ( Finish #3 ) Either Kona Pearwood with matching edge band or Winter White with matching edge band.  
 Drawer faces ( Finish #4 ) Either Kona Pearwood with matching edge band or Winter White with matching edge band.

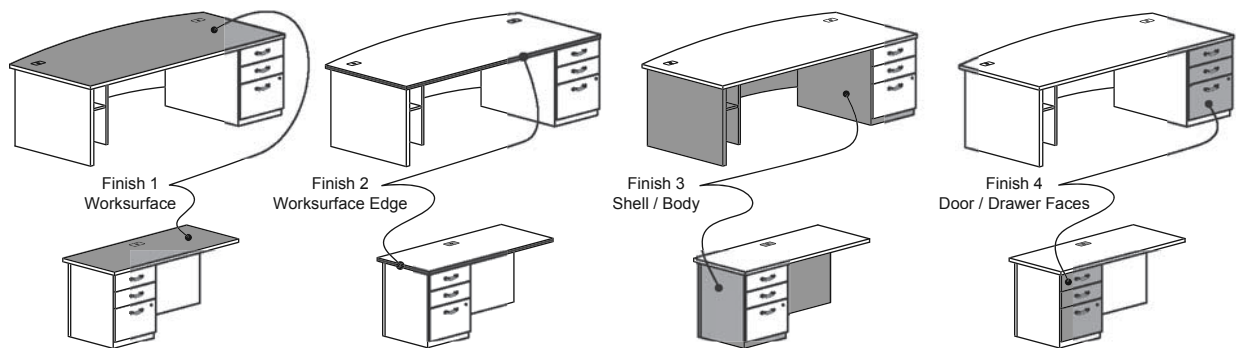
When ordering a Two Tone finish please state the model number. Next state finishes #1 through #4 then the standard details.  
 For a Two Tone finish please state ALL 4 finishes on your order.  
 If only 3 finishes exist (ie: no door or drawer faces) then simply state finishes 1 through 3.

Example: Model #	FDEBB3672	( Double Pedestal Bow Front Desk )
Finish #1	WW	( Winter White TFL top surface )
Finish #2	EKP	( Kona Pearwood top edges )
Finish #3	KP	( Kona Pearwood desk shell )
Finish #4	WW	( Winter White drawer faces )
Pull Style	PEB	( Elliptical Wire Pull in Black )
Metal Base Finish (if applicable)		
Flex Options	P13G	(Three Groove Edge detail )

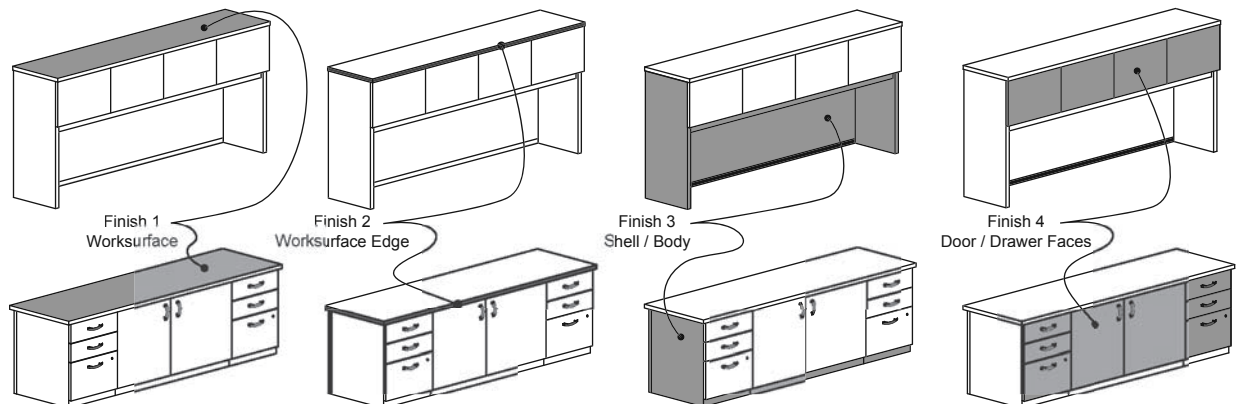
Finishes must be clearly stated for each individual item ordered.  
 Orders will not be accepted without ALL finishes clearly noted.  
 If only one finish is stated on an order then Primeway must assume the entire unit is in one finish.

See Two Tone finish illustrations below and on page 11-2 for further clarification on finish locations.

### Two Tone Color Locations for Desks & Returns

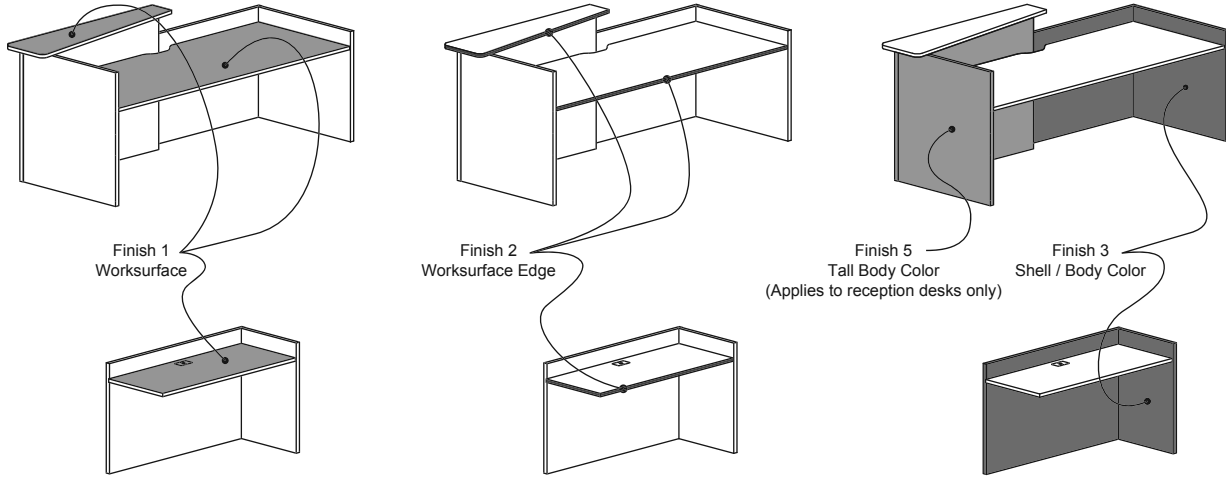


### Two Tone Color Locations for Credenzas & Hutches

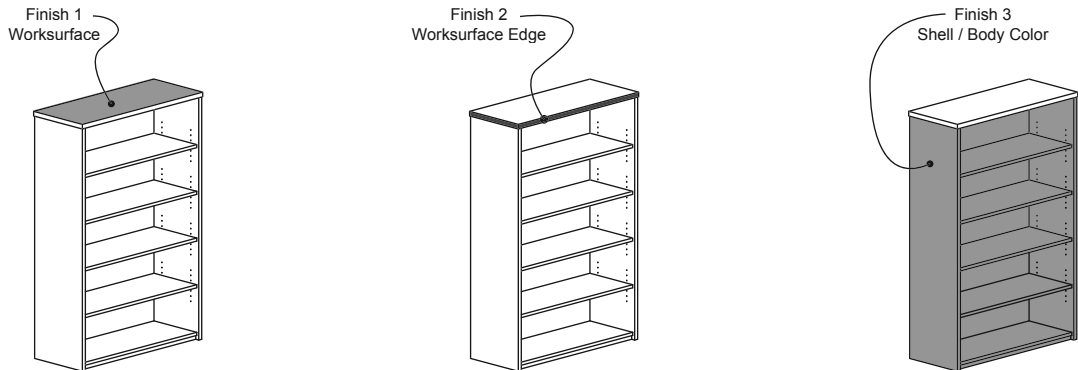


## Two Tone Finish Specifications:

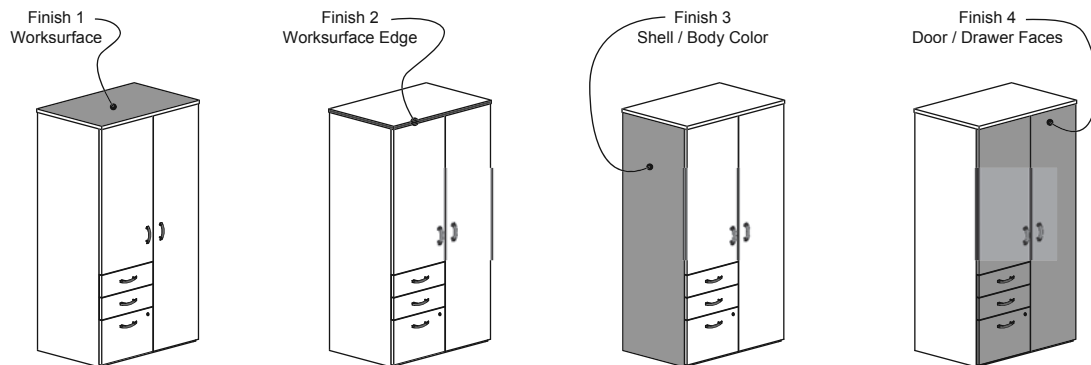
### Two Tone Color Locations for Reception Desks and Returns



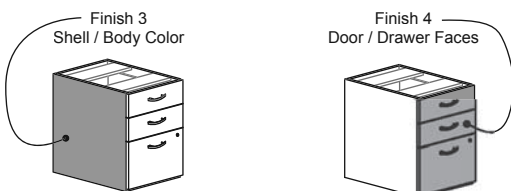
### Two Tone Color Locations for Bookcases



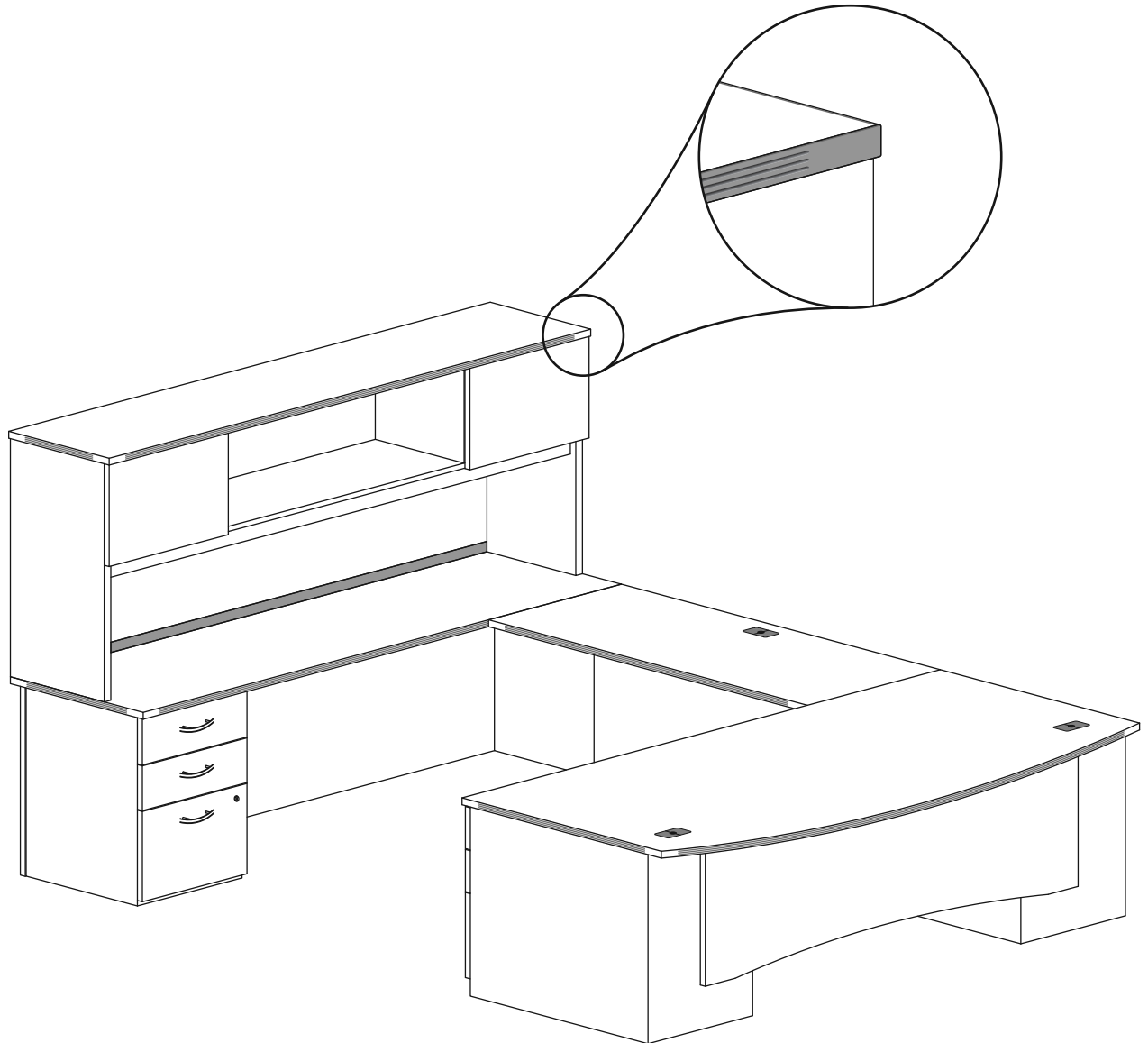
### Two Tone Color Locations for Wardrobe Towers



### Two Tone Color Locations for Undercounter Pedestals



## Three Groove Edge Specifications:



Features: The Three Groove Edge can be applied to any of the Flex series top / worksurface edgeband finishes.  
The Three Groove Edge is a subtle detail routed into the edgeband for the appearance of a fluted edge.

When selecting the Three Groove Edge option, the detail is applied to all four edges of the top / worksurface - as seen above.  
\$45.00 list price per top. Model number: P13G

Two piece conference table tops cost \$70.00 list price per table. Model number P13GA