

COMBINATION STORAGE CREDENZA



Primeway



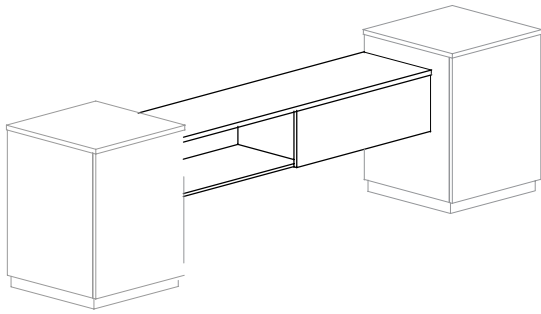
The Combination Storage Credenzas provide a modern and stylish appearance with a floating storage module between two end storage consoles.

These Combination Storage Credenzas are ideal for providing essential extra storage in conference rooms, private offices, and reception areas.

At Primeway, we create tables that enhance your working environment, whether it be in a classroom, an office, healthcare or maybe a relaxed in-between space.

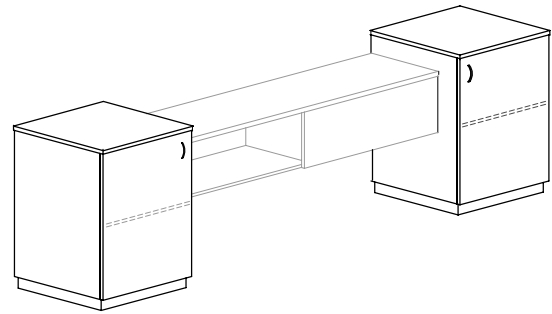
MAKING YOUR WORKING ENVIRONMENT WORK

COMBINATION STORAGE CREDENZA



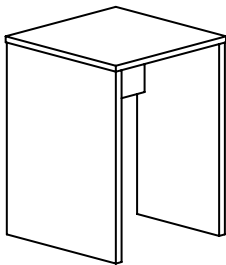
CENTER FLOATING STORAGE MODULE

- Center floating module has 12-1/4" interior height.
- Interior finish is same as exterior on floating module.
- Sliding door exposes left or right section while keeping the opposite side covered.
- Center module is mounted to freestanding end consoles with top 30" from floor.



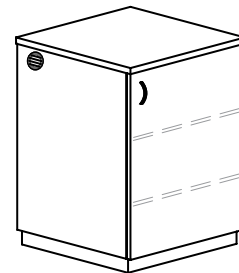
STANDARD END STORAGE CONSOLE

- One adjustable shelf per section.



REFRIGERATOR END CONSOLE

- Partially open back to access power on wall and assist with airflow.
- Fits most standard under-counter refrigerators.
- Please specify fridge size when placing order.
- Inside dimensions approximately 21½" W x 23" D x 34¾" H



A/V END CONSOLE

- Partially open back to access power and assist with airflow.
- One high grommet on a side and one low on opposing side to promote convection type air flow.
- Fan replaces one ventilation grommet on the high side location.
- Comes equipped with 2 adjustable shelves. Shelves are notched at the back to allow for wire management.
- With shelves removed, interior is large enough to install a rack system for installation of A/V equipment.

STANDARD CREDENZA FEATURES

- HPL tops are 1¼"-thick, available in 41 standard Group A finishes, and hundreds of non-standard Group B and C finishes.
- Flat edgebanding is standard and impact resistant.
- Standard 4" elliptical wire pulls available in black or brushed silver finish.
- Kickbase is 3" high.
- Bases have adjustable glides for leveling.

OPTIONAL CREDENZA FEATURES

- Double Door Locks Available
- Whisper Fan Available on A/V unit
- Wire Management Available

PRIMEWAY STANDARD PULL CHOICES



Bar Pull



Elliptical Wire Pull



Double Wire Pull

PRIMEWAY PREMIUM PULL CHOICES



Rod Pull



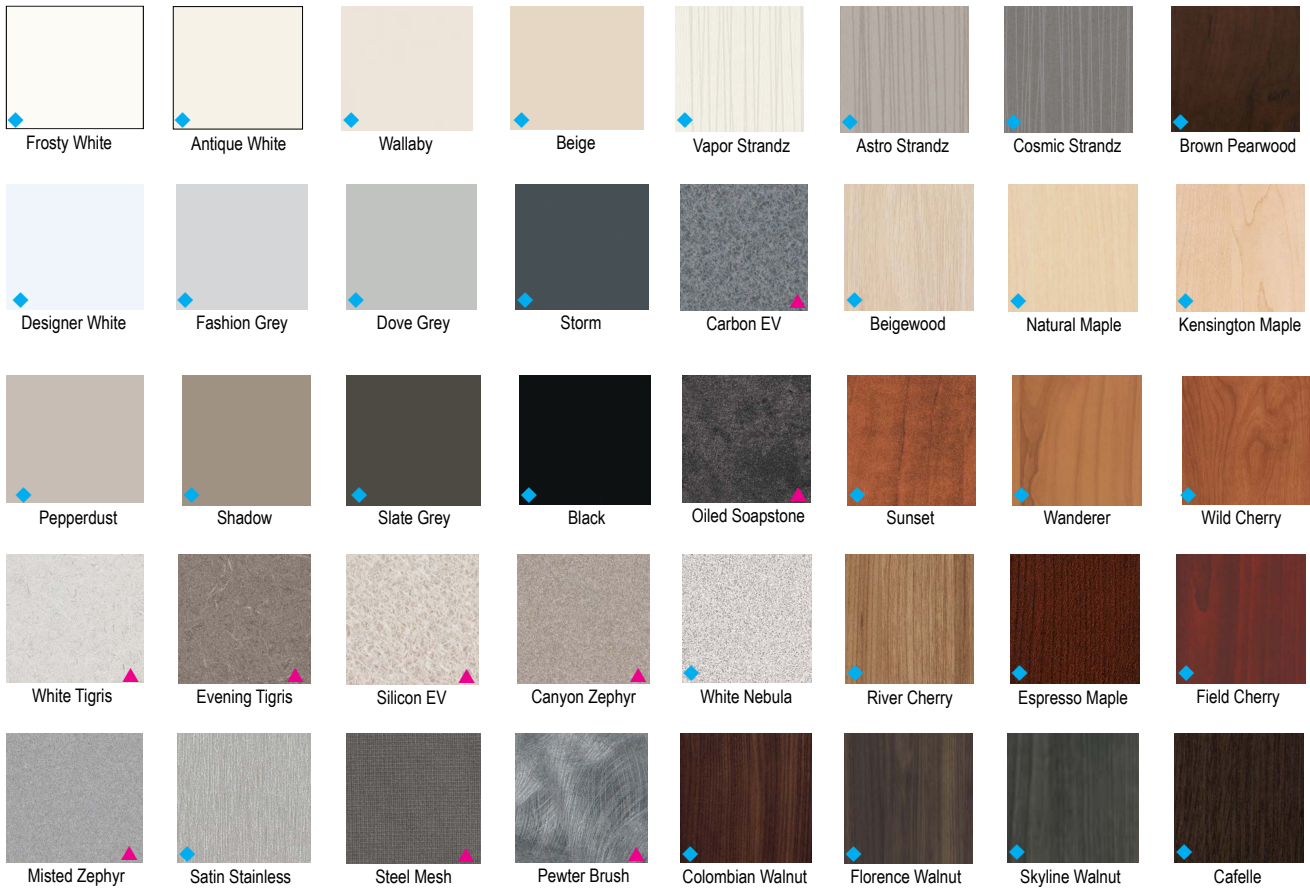
Flat Arched Pull

PRIMEWAY GROUP A HPL COLOR CHOICES

Finishes on this color card are for reference only. Refer to actual laminate sample to verify your selection.

◆ Finish available with a matching edge profile #10 in an ABS impact resistant edge band.

▲ Finish available with a complimentary solid color edge profile #10 in an ABS impact resistant edge band.



PRIMEWAY NON-STANDARD COLOR CHOICES

Group B HPL Finishes

- WilsonArt brand solids, patterns and woodgrains in a standard "matte" finish with a finish code "-60" or "-38".
- Formica brand solids, patterns and woodgrains in a standard "matte" finish with a finish code "-58".
- Pionite brand solids, patterns and woodgrains in a standard "suede" finish.

Group C HPL Finishes

- Most other WilsonArt, Pionite and Formica finishes not noted in Group "B" - verify with factory before ordering.
- Nevamar brand solids, patterns and woodgrains in a standard "matte" finish with a finish code "T".
- Please consult factory for pricing on all other brands and finishes.



Primeway



With a renowned commitment to service, quality, and product flexibility, Southeast Michigan based Primeway, Inc. has been dedicated to manufacturing high quality, cost effective office furniture since 1990.

4250 Normandy Ct.
Royal Oak, MI 48073
248.583.6922
Fax: 248.583.6923
www.primewayinc.com

MAKING YOUR WORKING ENVIRONMENT WORK