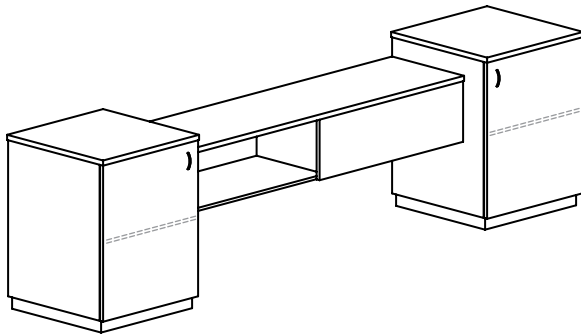


CONFERENCE ACCESSORIES

3600SERIESCOMBINATIONSTORAGECREDENZA



STANDARD FEATURES

The 3600 Series Credenzas provide a modern and stylish appearance with a floating storage module between two end storage consoles.

- HPL tops are 1/4" thick, available in 41 standard Group A finishes, and hundreds of non-standard Group B and C finishes.
 - Flat edgebanding is standard and impact resistant. See page 1-2.
 - Standard 4" elliptical wire pulls available in black or brushed silver finish.
 - Kickbase is 3" high.
 - Bases have adjustable glides for leveling.
- Finish specifications on page 1-4.

Available:

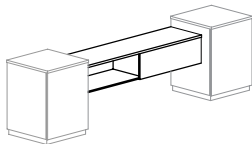
- Wire management, see page 3-3.

STARTING PRICE

Edge Style #10 Standard

Refer to page 1-2 for Edge Profiles

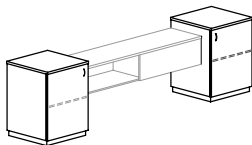
Size	Model #	"A"	"B"	"C"
Center Floating Storage Module				
48 x 18 x 15	36004818C	\$1408	\$1504	\$1540
60 x 18 x 15	36006018C	\$1470	\$1603	\$1652
72 x 18 x 15	36007218C	\$1535	\$1650	\$1693



- Center floating module has 12-1/4" interior height.
- Interior finish is same as exterior on floating module.
- Sliding door exposes left or right section while keeping the opposite side covered.
- Center module is mounted to freestanding end consoles with top 30" from floor.

Standard End Storage Console

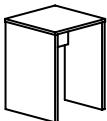
24 x 24 x 36	36002424ELH	\$968	\$1064	\$1100
24 x 24 x 36	36002424ERH	\$968	\$1064	\$1100



- One adjustable shelf per section.

Refrigerator End Console

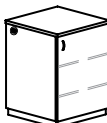
24 x 24 x 36	36002424R	\$960	\$1153	\$1224
--------------	-----------	-------	--------	--------



- Partially open back to access power on wall and assist with airflow.
- Fits most standard under-counter refrigerators.
- Please specify fridge size when placing order.
- Inside dimensions approximately 21 1/2" W x 23" D x 34 3/4" H

A/V End Console

24 x 24 x 36	36002424AVLH	\$1118	\$1214	\$1250
24 x 24 x 36	36002424AVRH	\$1118	\$1214	\$1250



- Partially open back to access power and assist with airflow.
- One high grommet on a side and one low on opposing side to promote convection type air flow.
- Add \$75 list price for a whisper fan. Add code "WF" to the end of the model number.
Fan replaces one ventilation grommet on the high side location.
- Comes equipped with 2 adjustable shelves. Shelves are notched at the back to allow for wire management.
- With shelves removed, interior is large enough to install a rack system for installation of A/V equipment.
- Add \$90 list price for Single Door Lock. Add code "SDL" to the end of the model number. (Locks (1) door).