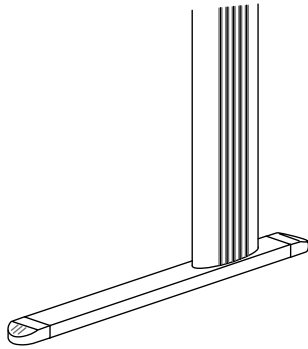


CONFIG SYS

SYSTEM "T" AND "C" BASE TABLES



STANDARD FEATURES

Design, style, and extreme rigidity make ConFigSys an excellent choice for multiple table configurations. The 120° table comes with (2) 22" bases and the half rounds with (2) 17" bases for support.

- HPL tops are 1/4" thick, available in 41 standard Group A finishes, and hundreds of non-standard Group B and C finishes.
- TFL tops are 1"-thick and are available in 14 standard finishes.
- Flat, impact-resistant edgebanding is standard. Other edge options are available. See page 1-2.
- Bases have adjustable leveling glides.
- Flat plate connectors are included with pie shaped spanner tops.
- Metal bases available in (8) powdercoat finishes.

Finish specifications on page 1-4.

Available:

- Wire management, see page 3-3.
- Power/Data, see page 2-1 through 2-5.
- Modesty panels, consult factory.

DIMENSIONS

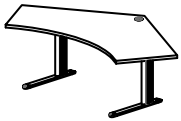


STARTING PRICE

Edge Style #10 Standard
Refer to page 1-2 for Edge Profiles

Top Edge Detail Upgrades

Add Cost to Starting Prices for these Edge Profiles.

Grp. 2 Grp. 3 Grp. 4

Size	Model #	STARTING PRICE				Top Edge Detail Upgrades		
		TFL	"A"	"B"	"C"	Grp. 2	Grp. 3	Grp. 4
 TRAPEZOID TOP 84 x 44 x 29	CFIG	\$1117	\$1213	\$1331	\$1374	\$184	\$616	\$959
 Config.Sys Table Links HALF ROUND TOP 24 x 48	CFIGHR	\$748	\$782	\$819	\$832	\$105	\$351	\$547
 PIE SHAPED TOP 24 x 24	CFIGS	\$231	\$252	\$264	\$268	\$28	\$91	\$145

NOTE:

FOR HALF ROUND TOPS--

- For Edge Profile 25, 42, 44, 46, and 48, the straight edge of the table can be specified to have a matching flat edge at no additional cost.
- The flat edge allows tables to be placed end to end without the gap created by profiled edges.
- Attached to flat edge with flat plates

FOR PIE SHAPED TOPS--

- For Group 2, 3, and 4 edge upgrades, the profile is only on the exposed curved edge.
- All other edges have a matching flat edge.
- Pie shape top is attached with flat plates.

