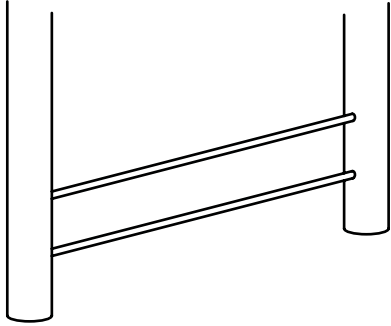


H-BASE SE-

H-BASE CONFERENCE TABLES



STANDARD FEATURES

Design and style give H-Base conference tables a clean, yet bold look. With 3" posts, endurance and stability hit the mark.

- HPL tops are 1/4" thick, available in 41 standard Group A finishes, and hundreds of non-standard Group B and C finishes.
- Flat, impact-resistant edgebanding is standard. Other edge options are available. See page 1-2.
- Bases have adjustable leveling glides.

Finish specifications on page 1-4.

Available:

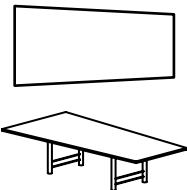
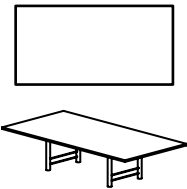
- Wire management, see page 3-3.
- Power/Data, see pages 2-1 through 2-5.

DIMENSIONS

STARTING PRICE
Edge Style #10 Standard
Refer to page 1-2 for Edge Profiles

Top Edge Detail Upgrades
Add Cost to Starting Prices for these Edge Profiles.

Size	Model #	"A"	"B"	"C"	Grp. 2	Grp. 3	Grp. 4
Rectangle Tops							
<i>1-PIECE TOP AND 2 BASES</i>							
42 x 84	CHB4284SQ	\$1418	\$1529	\$1571	\$164	\$589	\$864
42 x 96	CHB4296SQ	\$1496	\$1625	\$1672	\$180	\$644	\$945
48 x 96	CHB4896SQ	\$1525	\$1673	\$1727	\$187	\$672	\$986
<i>2-PIECE TOP AND 3 BASES</i>							
48 x 120	CHB48120SQ	\$2284	\$2468	\$2536	\$218	\$782	\$1148
60 x 120	CHB60120SQ	\$2993	\$3222	\$3308	\$233	\$837	\$1229
48 x 144	CHB48144SQ	\$2444	\$2666	\$2747	\$249	\$892	\$1310
60 x 144	CHB60144SQ	\$3184	\$3458	\$3561	\$264	\$948	\$1391
<i>2-PIECE TOP AND 4 BASES</i>							
48 x 168	CHB48168SQ	\$3087	\$3346	\$3440	\$280	\$1003	\$1472
60 x 168	CHB60168SQ	\$3964	\$4287	\$4406	\$295	\$1058	\$1553
Wedge Tops							
<i>1-PIECE TOP AND 2 BASES</i>							
42 x 84	CHB4284WD	\$1520	\$1633	\$1673	\$164	\$589	\$864
42 x 96	CHB4296WD	\$1614	\$1742	\$1790	\$180	\$644	\$945
48 x 96	CHB4896WD	\$1659	\$1807	\$1861	\$187	\$672	\$986
<i>2-PIECE TOP AND 3 BASES</i>							
48 x 120	CHB48120WD	\$2452	\$2636	\$2704	\$218	\$782	\$1148
60 x 120	CHB60120WD	\$3203	\$3432	\$3518	\$233	\$837	\$1229
48 x 144	CHB48144WD	\$2646	\$2867	\$2949	\$249	\$892	\$1310
60 x 144	CHB60144WD	\$3436	\$3710	\$3813	\$264	\$948	\$1391
<i>2-PIECE TOP AND 4 BASES</i>							
48 x 168	CHB48168WD	\$3323	\$3581	\$3676	\$280	\$1003	\$1472
60 x 168	CHB60168WD	\$4258	\$4581	\$4700	\$295	\$1058	\$1553



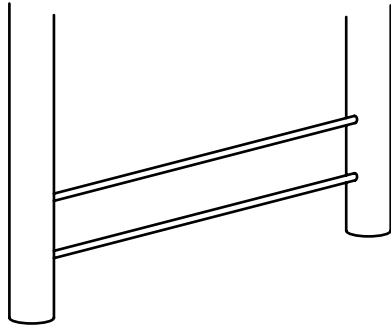
NOTE:

- Tops 120" and longer are shipped in two pieces. They include draw-tight hardware and wafers for alignment during installation.
- Alignment of woodgrain patterns between the two halves of the top cannot be guaranteed.



NEED A DIFFERENT SIZE? PRIMEWAY HAS FULL CUSTOM CAPABILITIES. PLEASE CONSULT OUR SALES TEAM FOR DETAILS.

H-BASE SE- H-BASE CONFERENCE TA-



H-Base Series
Conference

STANDARD FEATURES

Design and style give H-Base conference tables a clean, yet bold look. With 3" posts, endurance and stability hit the mark.

- HPL tops are 1/4" thick, available in 41 standard Group A finishes, and hundreds of non-standard Group B and C finishes.
- Flat, impact-resistant edgebanding is standard. Other edge options are available. See page 1-2.
- Bases have adjustable leveling glides.

Finish specifications on page 1-4.

Available:


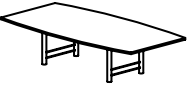

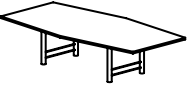
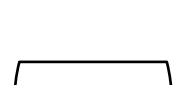


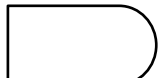


- Wire management, see page 3-3.
- Power/Data, see pages 2-1 through 2-5.

DIMENSIONS

STARTING PRICE
Edge Style #10 Standard
Refer to page 1-2 for Edge Profiles

Top Edge Detail Upgrades

Add Cost to Starting Prices for these Edge Profiles.

Size	Model #	"A"	"B"	"C"	Grp. 2	Grp. 3	Grp. 4	
Boat and Diamond Tops								
<i>Please add code "BT" for BOAT tops and "DM" for DIAMOND tops.</i>								
1-PIECE TOP AND 2 BASES								
	42 x 84	CHB4284-__	\$1546	\$1658	\$1700	\$164	\$743	\$1164
	42 x 96	CHB4296-__	\$1643	\$1772	\$1819	\$180	\$818	\$1284
	48 x 96	CHB4896-__	\$1693	\$1840	\$1895	\$187	\$846	\$1324
2-PIECE TOP AND 3 BASES								
	48 x 120	CHB48120-__	\$2494	\$2678	\$2746	\$218	\$996	\$1564
	60 x 120	CHB60120-__	\$3255	\$3485	\$3570	\$233	\$1051	\$1645
	48 x 144	CHB48144-__	\$2696	\$2918	\$2999	\$249	\$1146	\$1804
	60 x 144	CHB60144-__	\$3499	\$3773	\$3876	\$264	\$1201	\$1885
2-PIECE TOP AND 4 BASES								
	48 x 168	CHB48168-__	\$3381	\$3640	\$3734	\$280	\$1296	\$2044
	60 x 168	CHB60168-__	\$4331	\$4654	\$4774	\$295	\$1351	\$2125
Bow End and Bullet Tops								
<i>Please add code "BU" for BULLET tops and "BE" for BOW END tops</i>								
1-PIECE TOP AND 2 BASES								
	42 x 84	CHB4284-__	\$1546	\$1658	\$1700	\$164	\$593	\$898
	42 x 96	CHB4296-__	\$1643	\$1772	\$1819	\$180	\$648	\$979
	48 x 96	CHB4896-__	\$1693	\$1840	\$1895	\$187	\$678	\$1026
2-PIECE TOP AND 3 BASES								
	48 x 120	CHB48120-__	\$2494	\$2678	\$2746	\$218	\$788	\$1188
	60 x 120	CHB60120-__	\$3255	\$3485	\$3570	\$233	\$847	\$1283
	48 x 144	CHB48144-__	\$2696	\$2918	\$2999	\$249	\$899	\$1350
	60 x 144	CHB60144-__	\$3499	\$3773	\$3876	\$264	\$958	\$1445
2-PIECE TOP AND 4 BASES								
	48 x 168	CHB48168-__	\$3381	\$3640	\$3734	\$280	\$1009	\$1512
	60 x 168	CHB60168-__	\$4331	\$4654	\$4774	\$295	\$1068	\$1607

NOTE:

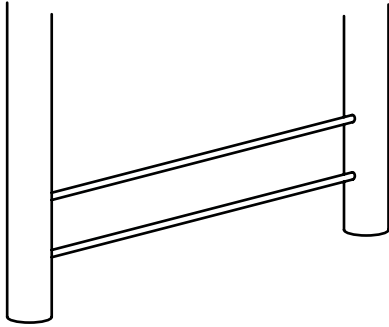
- Tops 120" and longer are shipped in two pieces. They include draw-tight hardware and wafers for alignment during installation.
- Alignment of woodgrain patterns between the two halves of the top cannot be guaranteed.



NEED A DIFFERENT SIZE? PRIMEWAY HAS FULL CUSTOM CAPABILITIES. PLEASE CONSULT OUR SALES TEAM FOR DETAILS.

H-BASE SE-

H-BASE CONFERENCE TA-



STANDARD FEATURES

Design and style give H-Base conference tables a clean, yet bold look. With 3" posts, endurance and stability hit the mark.

- HPL tops are 1/4"-thick, available in 41 standard Group A finishes, and hundreds of non-standard Group B and C finishes.
- Flat, impact-resistant edgebanding is standard. Other edge options are available. See page 1-2.
- Bases have adjustable leveling glides.

Finish specifications on page 1-4.

Available:

- Wire management, see page 3-3.
- Power/Data, see pages 2-1 through 2-5.

DIMENSIONS

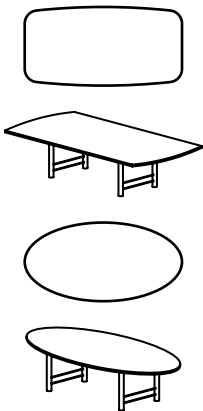
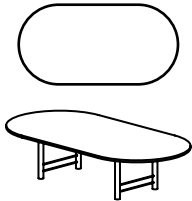
STARTING PRICE

Edge Style #10 Standard
Refer to page 1-2 for Edge Profiles

Top Edge Detail Upgrades

Add Cost to Starting Prices for these Edge Profiles.

Size	Model #	"A"	"B"	"C"	Grp. 2	Grp. 3	Grp. 4
Racetrack Tops							
<i>1-PIECE TOP AND 2 BASES</i>							
42 x 84	CHB4284RT	\$1559	\$1633	\$1713	\$164	\$607	\$945
42 x 96	CHB4296RT	\$1656	\$1742	\$1834	\$180	\$662	\$1026
48 x 96	CHB4896RT	\$1712	\$1807	\$1912	\$187	\$693	\$1080
<i>2-PIECE TOP AND 3 BASES</i>							
48 x 120	CHB48120RT	\$2515	\$2636	\$2767	\$218	\$804	\$1242
60 x 120	CHB60120RT	\$3281	\$3432	\$3596	\$233	\$867	\$1350
<i>2-PIECE TOP AND 4 BASES</i>							
48 x 144	CHB48144RT	\$2722	\$2867	\$3024	\$249	\$914	\$1404
60 x 144	CHB60144RT	\$3531	\$3710	\$3907	\$264	\$977	\$1512
<i>2-PIECE TOP AND 4 BASES</i>							
48 x 168	CHB48168RT	\$3410	\$3581	\$3764	\$280	\$1025	\$1566
60 x 168	CHB60168RT	\$4368	\$4581	\$4810	\$295	\$1087	\$1674
Boat-R and Oval Tops							
<i>Please add code "BR" for BOAT-R tops and "OV" for OVAL tops.</i>							
<i>1-PIECE TOP AND 2 BASES</i>							
42 x 84	CHB4284-__	\$1559	\$1633	\$1713	\$164	\$800	\$1280
42 x 96	CHB4296-__	\$1656	\$1742	\$1834	\$180	\$875	\$1400
48 x 96	CHB4896-__	\$1712	\$1807	\$1912	\$187	\$913	\$1460
<i>2-PIECE TOP AND 3 BASES</i>							
48 x 120	CHB48120-__	\$2515	\$2636	\$2767	\$218	\$1063	\$1700
60 x 120	CHB60120-__	\$3281	\$3432	\$3596	\$233	\$1138	\$1820
<i>2-PIECE TOP AND 4 BASES</i>							
48 x 144	CHB48144-__	\$2722	\$2867	\$3024	\$249	\$1213	\$1940
60 x 144	CHB60144-__	\$3531	\$3710	\$3907	\$264	\$1288	\$2060
<i>2-PIECE TOP AND 4 BASES</i>							
48 x 168	CHB48168-__	\$3410	\$3581	\$3764	\$280	\$1363	\$2180
60 x 168	CHB60168-__	\$4368	\$4581	\$4810	\$295	\$1438	\$2300



NOTE:

- Tops 120" and longer are shipped in two pieces. They include draw-tight hardware and wafers for alignment during installation.
- Alignment of woodgrain patterns between the two halves of the top cannot be guaranteed.



NEED A DIFFERENT SIZE? PRIMEWAY HAS FULL CUSTOM CAPABILITIES. PLEASE CONSULT OUR SALES TEAM FOR DETAILS.