

# HALF-CYLINDER SERIES

## HALF-CYLINDER BASE CONFERENCE TABLES

### STANDARD FEATURES

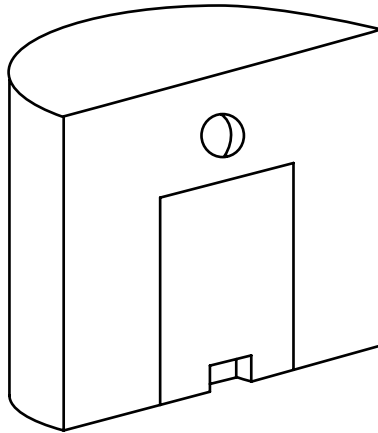
The Half-Cylinder Series bases provide a sturdy platform for a broad number of conference table applications.

- HPL tops are 1/4" thick, available in 41 standard Group A finishes, and hundreds of non-standard Group B and C finishes.
- Flat, impact-resistant edgebanding is standard. Other edge options are available. See page 1-2.
- Bases have adjustable leveling glides.
- Bases made to match top finish.
- Access panel in each base for wire management. See note below.
- For 120" tops and 144" tops a stretcher box spanner is provided between the 2 bases for additional support.

Finish specifications on page 1-4.

Available:

- Power/Data, see pages 2-1 through 2-5.



### DIMENSIONS

### STARTING PRICE

Edge Style #10 Standard  
Refer to page 1-2 for Edge Profiles

### Top Edge Detail Upgrades

Add Cost to Starting Prices for these Edge Profiles.

Size	Model #	"A"	"B"	"C"	Grp. 2	Grp. 3	Grp. 4
<b>Rectangle Tops</b>							
<i>1-PIECE TOP AND 2 BASES</i>							
42 x 84	CHC4284SQ	\$2187	\$2408	\$2487	\$164	\$589	\$864
42 x 96	CHC4296SQ	\$2279	\$2517	\$2601	\$180	\$644	\$945
48 x 96	CHC4896SQ	\$2436	\$2710	\$2811	\$187	\$672	\$986
<i>2-PIECE TOP AND 2 BASES</i>							
48 x 120	CHC48120SQ	\$3166	\$3531	\$3667	\$218	\$782	\$1148
60 x 120	CHC60120SQ	\$3628	\$4060	\$4218	\$233	\$837	\$1229
<i>2-PIECE TOP AND 4 BASES</i>							
48 x 144	CHC48144SQ	\$3449	\$3871	\$4025	\$249	\$892	\$1310
60 x 144	CHC60144SQ	\$3943	\$4438	\$4619	\$264	\$948	\$1391
<i>2-PIECE TOP AND 4 BASES</i>							
48 x 168	CHC48168SQ	\$4644	\$5154	\$5343	\$280	\$1003	\$1472
60 x 168	CHC60168SQ	\$5402	\$6019	\$6244	\$295	\$1058	\$1553
<b>Wedge Tops</b>							
<i>1-PIECE TOP AND 2 BASES</i>							
42 x 84	CHC4284WD	\$2289	\$2512	\$2590	\$164	\$589	\$864
42 x 96	CHC4296WD	\$2397	\$2634	\$2720	\$180	\$644	\$945
48 x 96	CHC4896WD	\$2570	\$2844	\$2945	\$187	\$672	\$986
<i>2-PIECE TOP AND 2 BASES</i>							
48 x 120	CHC48120WD	\$3334	\$3699	\$3835	\$218	\$782	\$1148
60 x 120	CHC60120WD	\$3838	\$4270	\$4428	\$233	\$837	\$1229
<i>2-PIECE TOP AND 4 BASES</i>							
48 x 144	CHC48144WD	\$3651	\$4071	\$4228	\$249	\$892	\$1310
60 x 144	CHC60144WD	\$4195	\$4690	\$4871	\$264	\$948	\$1391
<i>2-PIECE TOP AND 4 BASES</i>							
48 x 168	CHC48168WD	\$4880	\$5389	\$5579	\$280	\$1003	\$1472
60 x 168	CHC60168WD	\$5696	\$6313	\$6538	\$295	\$1058	\$1553

### NOTE:

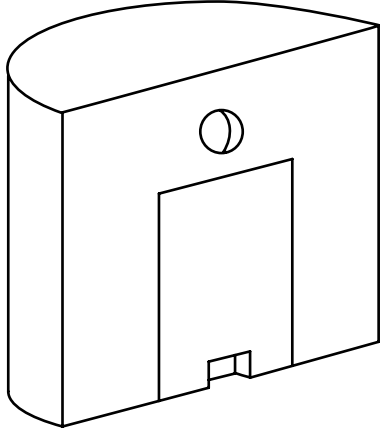
- The Removable Access Panel Base provides access to interior when Power/Data is required in the top.
- Grommet at top of base, where applicable, for pass-through wire management.
- The bottom of the base is cut out to expose the floor.
- There is a 3" x 1 1/4" notch in removable panel for wire management. Panel is reversible so notch can be at top or bottom.
- Tops 120" and longer are shipped in two pieces. They include draw-tight hardware and wafers for alignment during installation.
- Alignment of woodgrain patterns between the two halves of the top cannot be guaranteed.



NEED A DIFFERENT SIZE? PRIMEWAY HAS FULL CUSTOM CAPABILITIES. PLEASE CONSULT OUR SALES TEAM FOR DETAILS.

# HALF-CYLINDER SERIES

## HALF-CYLINDER BASE CONFERENCE TABLES



### STANDARD FEATURES

The Half-Cylinder Series bases provide a sturdy platform for a broad number of conference table applications.

- HPL tops are 1/4" thick, available in 41 standard Group A finishes, and hundreds of non-standard Group B and C finishes.
- Flat, impact-resistant edgebanding is standard. Other edge options are available. See page 1-2.
- Bases have adjustable leveling glides.
- Bases made to match top finish.
- Access panel in each base for wire management. See note below.
- For 120" tops and 144" tops a stretcher box spanner is provided between the 2 bases for additional support.

Finish specifications on page 1-4.

Available:

- Power/Data, see pages 2-1 through 2-5.

### DIMENSIONS

### STARTING PRICE

Edge Style #10 Standard  
Refer to page 1-2 for Edge Profiles

### Top Edge Detail Upgrades

Add Cost to Starting Prices for these Edge Profiles.

Size	Model #	STARTING PRICE			Top Edge Detail Upgrades		
		"A"	"B"	"C"	Grp. 2	Grp. 3	Grp. 4
<b>Boat and Diamond Tops</b>							
<i>Please add code "BT" for BOAT tops and "DM" for DIAMOND tops.</i>							
<b>1-PIECE TOP AND 2 BASES</b>							
42 x 84	CHC4284-__	\$2315	\$2537	\$2616	\$164	\$743	\$1164
42 x 96	CHC4296-__	\$2426	\$2664	\$2748	\$180	\$818	\$1284
48 x 96	CHC4896-__	\$2604	\$2877	\$2979	\$187	\$846	\$1324
<b>2-PIECE TOP AND 2 BASES</b>							
48 x 120	CHC48120-__	\$3376	\$3741	\$3877	\$218	\$996	\$1564
60 x 120	CHC60120-__	\$3890	\$4322	\$4481	\$233	\$1051	\$1645
48 x 144	CHC48144-__	\$3701	\$4123	\$4277	\$249	\$1146	\$1804
60 x 144	CHC60144-__	\$4258	\$4753	\$4934	\$264	\$1201	\$1885
<b>2-PIECE TOP AND 4 BASES</b>							
48 x 168	CHC48168-__	\$4938	\$5448	\$5637	\$280	\$1296	\$2044
60 x 168	CHC60168-__	\$5770	\$6387	\$6611	\$295	\$1351	\$2125
<b>Bow End and Bullet Tops</b>							
<i>Please add code "BU" for BULLET tops and "BE" for BOW END tops.</i>							
<b>1-PIECE TOP AND 2 BASES</b>							
42 x 84	CHC4284-__	\$2315	\$2537	\$2616	\$164	\$593	\$898
42 x 96	CHC4296-__	\$2426	\$2664	\$2748	\$180	\$648	\$979
48 x 96	CHC4896-__	\$2604	\$2877	\$2979	\$187	\$678	\$1026
<b>2-PIECE TOP AND 2 BASES</b>							
48 x 120	CHC48120-__	\$3376	\$3741	\$3877	\$218	\$788	\$1188
60 x 120	CHC60120-__	\$3890	\$4322	\$4481	\$233	\$847	\$1283
48 x 144	CHC48144-__	\$3701	\$4123	\$4277	\$249	\$899	\$1350
60 x 144	CHC60144-__	\$4258	\$4753	\$4934	\$264	\$958	\$1445
<b>2-PIECE TOP AND 4 BASES</b>							
48 x 168	CHC48168-__	\$4938	\$5448	\$5637	\$280	\$1009	\$1512
60 x 168	CHC60168-__	\$5770	\$6387	\$6611	\$295	\$1068	\$1607

### NOTE:

- The Removable Access Panel Base provides access to interior when Power/Data is required in the top.
- Grommet at top of base, where applicable, for pass-through wire management.
- The bottom of the base is cut out to expose the floor.
- There is a 3" x 1 1/4" notch in removable panel for wire management. Panel is reversible so notch can be at top or bottom.
- Tops 120" and longer are shipped in two pieces. They include draw-tight hardware and wafers for alignment during installation.
- Alignment of woodgrain patterns between the two halves of the top cannot be guaranteed.

NEED A DIFFERENT SIZE? PRIMEWAY HAS FULL CUSTOM CAPABILITIES. PLEASE CONSULT OUR SALES TEAM FOR DETAILS.



# HALF-CYLINDER SERIES

## HALF-CYLINDER BASE CONFERENCE TABLES

### STANDARD FEATURES

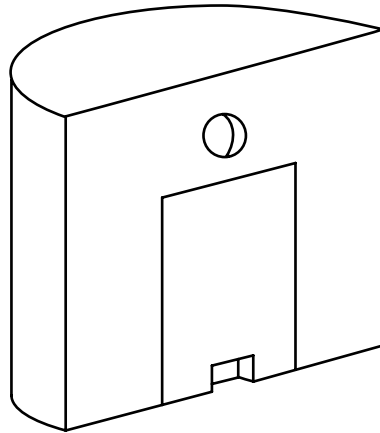
The Half-Cylinder Series bases provide a sturdy platform for a broad number of conference table applications.

- HPL tops are 1/4" thick, available in 41 standard Group A finishes, and hundreds of non-standard Group B and C finishes.
- Flat, impact-resistant edgework is standard. Other edge options are available. See page 1-2.
- Bases have adjustable leveling glides.
- Bases made to match top finish.
- Access panel in each base for wire management. See note below.
- For 120" tops and 144" tops a stretcher box spanner is provided between the 2 bases for additional support.

Finish specifications on page 1-4.

Available:

- Power/Data, see pages 2-1 through 2-5.



### DIMENSIONS

**STARTING PRICE**  
Edge Style #10 Standard  
Refer to page 1-2 for Edge Profiles

**Top Edge Detail Upgrades**  
Add Cost to Starting Prices for these Edge Profiles.

Size	Model #	"A"	"B"	"C"	Grp. 2	Grp. 3	Grp. 4
<b>Racetrack Tops</b>							
<i>1-PIECE TOP AND 2 BASES</i>							
42 x 84	CHC4284RT	\$2328	\$2512	\$2629	\$164	\$607	\$945
42 x 96	CHC4296RT	\$2439	\$2634	\$2763	\$180	\$662	\$1026
48 x 96	CHC4896RT	\$2622	\$2844	\$2996	\$187	\$693	\$1080
<i>2-PIECE TOP AND 2 BASES</i>							
48 x 120	CHC48120RT	\$3397	\$3699	\$3898	\$218	\$804	\$1242
60 x 120	CHC60120RT	\$3917	\$4270	\$4507	\$233	\$867	\$1350
48 x 144	CHC48144RT	\$3728	\$4071	\$4302	\$249	\$914	\$1404
60 x 144	CHC60144RT	\$4289	\$4690	\$4965	\$264	\$977	\$1512
<i>2-PIECE TOP AND 4 BASES</i>							
48 x 168	CHC48168RT	\$4967	\$5389	\$5667	\$280	\$1025	\$1566
60 x 168	CHC60168RT	\$5807	\$6313	\$6648	\$295	\$1087	\$1674
<b>Boat-R and Oval Tops</b>							
<i>Please add code "BR" for BOAT-R tops and "OV" for OVAL tops.</i>							
<i>1-PIECE TOP AND 2 BASES</i>							
42 x 84	CHC4284-__	\$2328	\$2512	\$2629	\$164	\$800	\$1280
42 x 96	CHC4296-__	\$2439	\$2634	\$2763	\$180	\$875	\$1400
48 x 96	CHC4896-__	\$2622	\$2844	\$2996	\$187	\$913	\$1460
<i>2-PIECE TOP AND 2 BASES</i>							
48 x 120	CHC48120-__	\$3397	\$3699	\$3898	\$218	\$1063	\$1700
60 x 120	CHC60120-__	\$3917	\$4270	\$4507	\$233	\$1138	\$1820
48 x 144	CHC48144-__	\$3728	\$4071	\$4302	\$249	\$1213	\$1940
60 x 144	CHC60144-__	\$4289	\$4690	\$4965	\$264	\$1288	\$2060
<i>2-PIECE TOP AND 4 BASES</i>							
48 x 168	CHC48168-__	\$4967	\$5389	\$5667	\$280	\$1363	\$2180
60 x 168	CHC60168-__	\$5807	\$6313	\$6648	\$295	\$1438	\$2300

### NOTE:

- The Removable Access Panel Base provides access to interior when Power/Data is required in the top.
- Grommet at top of base, where applicable, for pass-through wire management.
- The bottom of the base is cut out to expose the floor.
- There is a 3" x 1 1/4" notch in removable panel for wire management. Panel is reversible so notch can be at top or bottom.
- Tops 120" and longer are shipped in two pieces. They include draw-tight hardware and wafers for alignment during installation.
- Alignment of woodgrain patterns between the two halves of the top cannot be guaranteed.



NEED A DIFFERENT SIZE? PRIMEWAY HAS FULL CUSTOM CAPABILITIES. PLEASE CONSULT OUR SALES TEAM FOR DETAILS.

