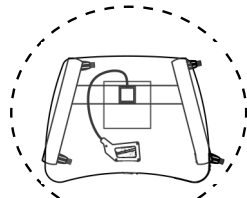
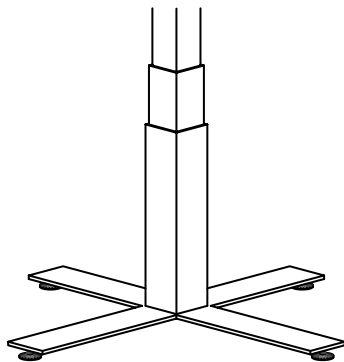
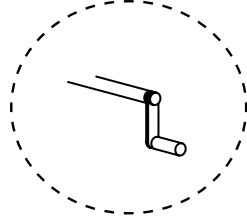


# RAISE<sup>1</sup> SERIES

## ADJUSTABLE HEIGHT "X" BASE TABLES



Easy Lift Feature



Hand Crank Feature

### STANDARD FEATURES

Raise<sup>1</sup> features a flat steel bar style foot, 3" wide x 1/2" thick. To adjust the height of the table simply squeeze the small handle underneath the table top or choose the manual hand crank for a cost-effective alternative.

- HPL tops are 1/4"-thick, available in 41 standard Group A finishes, and hundreds of non-standard Group B and C finishes.
- Flat, impact-resistant edgebanding is standard. Other edge options are available. See page 1-2.
- Adjusts from 27" to 45" high.
- Metal bases available in (7) powdercoat finishes.
- Bases have adjustable glides for leveling.

Finish specifications on page 1-4.

### DIMENSIONS

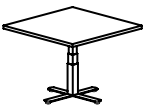
### STARTING PRICE

Edge Style #10 Standard  
Refer to page 1-2 for Edge Profiles

### Top Edge Detail Upgrades

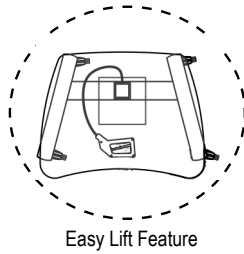
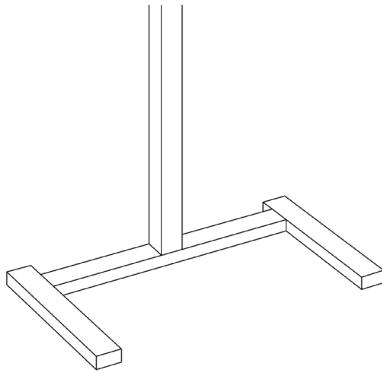
Add Cost to Starting Prices for these Edge Profiles.

Size	Model #	"A"	"B"	"C"	Grp. 2	Grp. 3	Grp. 4
<b>Adjustable Height Tables with Easy Lift</b>							
<i>ROUND TOP</i>							
24" Dia.	TRARXEL24	\$1124	\$1142	\$1148	\$66	\$256	\$410
30" Dia.	TRARXEL30	\$1164	\$1193	\$1204	\$81	\$315	\$504
36" Dia.	TRARXEL36	\$1260	\$1302	\$1316	\$96	\$374	\$599
42" Dia.	TRARXEL42	\$1349	\$1406	\$1427	\$111	\$433	\$693
48" Dia.	TRARXEL48	\$1395	\$1469	\$1496	\$126	\$492	\$788
<i>SQUARE TOP</i>							
24 x 24	TRASXEL2424	\$1124	\$1142	\$1148	\$64	\$230	\$338
30 x 30	TRASXEL3030	\$1180	\$1209	\$1219	\$80	\$285	\$419
36 x 36	TRASXEL3636	\$1273	\$1315	\$1330	\$95	\$340	\$500
42 x 42	TRASXEL4242	\$1362	\$1419	\$1440	\$110	\$396	\$581
<b>Adjustable Height Tables with Hand Crank</b>							
<i>ROUND TOP</i>							
24" Dia.	TRARXHC24	\$953	\$971	\$978	\$66	\$256	\$410
30" Dia.	TRARXHC30	\$994	\$1022	\$1033	\$81	\$315	\$504
36" Dia.	TRARXHC36	\$1087	\$1129	\$1143	\$96	\$374	\$599
<i>SQUARE TOP</i>							
24 x 24	TRASXHC2424	\$953	\$971	\$978	\$64	\$230	\$338
30 x 30	TRASXHC3030	\$1007	\$1036	\$1046	\$80	\$285	\$419



# RAISE<sup>1</sup> SERIES

## ADJUSTABLE HEIGHT BASE TABLES



Easy Lift Feature

### STANDARD FEATURES

Raise<sup>1</sup> features a 3" wide x 1-1/2" thick u-shaped base foot. To adjust the height of the table simply squeeze the small handle underneath the table top or choose the manual hand crank for a cost-effective alternative.

- HPL tops are 1/4"-thick, available in 41 standard Group A finishes, and hundreds of non-standard Group B and C finishes.
  - Flat, impact-resistant edgebanding is standard. Other edge options are available. See page 1-2.
  - Adjusts from 27" to 47" high.
  - Metal bases available in (8) powdercoat finishes.
  - Bases have adjustable glides for leveling.
- Finish specifications on page 1-4.

### DIMENSIONS

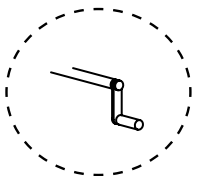
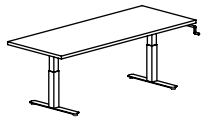
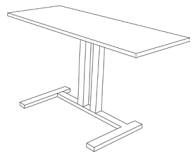
### STARTING PRICE

Edge Style #10 Standard  
Refer to page 1-2 for Edge Profiles

### Top Edge Detail Upgrades

Add Cost to Starting Prices for these Edge Profiles.

Size	Model #	"A"	"B"	"C"	Grp. 2	Grp. 3	Grp. 4
<b>Single Column Adjustable Height Tables with Easy Lift</b>							
<i>RECTANGLE TOP</i>							
24 x 42	TRASTEL2442	\$1400	\$1433	\$1445	\$87	\$313	\$---
30 x 42	TRASTEL3042	\$1491	\$1532	\$1546	\$95	\$340	\$---
36 x 42	TRASTEL3642	\$1542	\$1591	\$1608	\$103	\$368	\$---
<b>Double Column Adjustable Height Tables with Easy Lift</b>							
<i>RECTANGLE TOP</i>							
24 x 48	TRASTEL2448	\$1416	\$1454	\$1467	\$95	\$340	\$---
24 x 60	TRASTEL2460	\$2005	\$2050	\$2067	\$110	\$396	\$---
24 x 72	TRASTEL2472	\$2057	\$2112	\$2133	\$126	\$451	\$---
30 x 48	TRASTEL3048	\$2007	\$2053	\$2070	\$103	\$368	\$---
30 x 60	TRASTEL3060	\$2104	\$2162	\$2183	\$118	\$423	\$---
30 x 72	TRASTEL3072	\$2153	\$2222	\$2247	\$133	\$478	\$---
36 x 48	TRASTEL3648	\$2063	\$2118	\$2139	\$110	\$396	\$---
36 x 60	TRASTEL3660	\$2172	\$2242	\$2267	\$126	\$451	\$---
36 x 72	TRASTEL3672	\$2234	\$2317	\$2347	\$141	\$506	\$---
<b>Adjustable Height Tables with Hand Crank</b>							
<i>RECTANGLE TOP</i>							
24 x 42	TRASTHC2442	\$1217	\$1250	\$1261	\$87	\$313	\$---
24 x 48	TRASTHC2448	\$1232	\$1271	\$1284	\$95	\$340	\$---
24 x 60	TRASTHC2460	\$1322	\$1368	\$1385	\$110	\$396	\$---
24 x 72	TRASTHC2472	\$1374	\$1429	\$1450	\$126	\$451	\$---
30 x 42	TRASTHC3042	\$1323	\$1364	\$1378	\$95	\$340	\$---
30 x 48	TRASTHC3048	\$1340	\$1386	\$1403	\$103	\$368	\$---
30 x 60	TRASTHC3060	\$1437	\$1495	\$1516	\$118	\$423	\$---
30 x 72	TRASTHC3072	\$1486	\$1555	\$1580	\$133	\$478	\$---
36 x 42	TRASTHC3642	\$1393	\$1441	\$1458	\$103	\$368	\$---
36 x 48	TRASTHC3648	\$1415	\$1470	\$1491	\$110	\$396	\$---
36 x 60	TRASTHC3660	\$1524	\$1593	\$1618	\$126	\$451	\$---
36 x 72	TRASTHC3672	\$1586	\$1668	\$1698	\$141	\$506	\$---

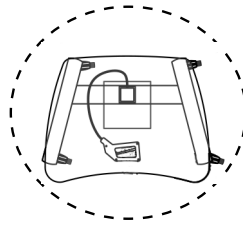
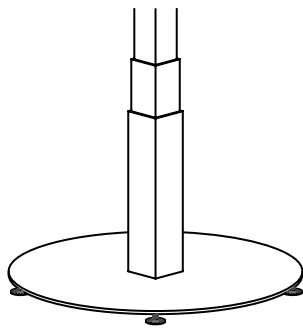


Hand Crank Feature

Raise Series  
Adjustable Height

# RAISE<sup>1</sup> SERIES

## ADJUSTABLE HEIGHT DISC BASE TABLES



Easy Lift Feature

### STANDARD FEATURES

This Raise<sup>1</sup> table features a flat disc base. To adjust the height of the table simply squeeze the small handle underneath the table top.

- HPL tops are 1/4" thick, available in 41 standard Group A finishes, and hundreds of non-standard Group B and C finishes.
  - Flat, impact-resistant edgebanding is standard. Other edge options are available. See page 1-2.
  - Adjusts from 27" to 45" high.
  - Metal bases available in (8) powdercoat finishes.
  - Bases have adjustable glides for leveling.
- Finish specifications on page 1-4.

### DIMENSIONS

### STARTING PRICE

Edge Style #10 Standard  
Refer to page 1-2 for Edge Profiles

### Top Edge Detail Upgrades

Add Cost to Starting Prices for these Edge Profiles.

Size	Model #	"A"	"B"	"C"	Grp. 2	Grp. 3	Grp. 4
<b>Adjustable Height Tables with Easy Lift</b>							
<i>ROUND TOP</i>							
24" Dia.	TRARDEL24	\$1160	\$1179	\$1185	\$66	\$256	\$410
30" Dia.	TRARDEL30	\$1201	\$1230	\$1240	\$81	\$315	\$504
36" Dia.	TRARDEL36	\$1310	\$1352	\$1366	\$96	\$374	\$599
42" Dia.	TRARDEL42	\$1473	\$1529	\$1550	\$111	\$433	\$693
48" Dia.	TRARDEL48	\$1505	\$1579	\$1607	\$126	\$492	\$788
<i>SQUARE TOP</i>							
24 x 24	TRASDEL2424	\$1160	\$1179	\$1185	\$64	\$230	\$338
30 x 30	TRASDEL3030	\$1201	\$1230	\$1240	\$80	\$285	\$419
36 x 36	TRASDEL3636	\$1310	\$1352	\$1366	\$95	\$340	\$500
48 x 48	TRASDEL4848	\$1473	\$1529	\$1550	\$110	\$396	\$581

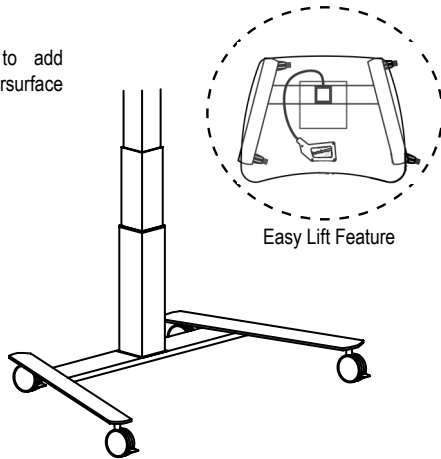


# RAISE<sup>2</sup> SERIES

## ADJUSTABLE HEIGHT MOBILE MULTIPURPOSE TABLE



Power/Data is easy to add with our PPD110 undersurface module.



### STANDARD FEATURES

With limited space, this table creates a compact mobile desk, ideal for laptops and other technology. Adjusts easily from seated to standing height and maneuvers easily with 3" locking casters. To adjust the height of the table simply squeeze the small handle underneath the table top.

- HPL tops are 1/4"-thick, available in 41 standard Group A finishes, and hundreds of non-standard Group B and C finishes.
- Edge style #10 is standard. See page 1-2.
- Adjusts from 27" to 45" high.
- Metal base is silver, other finishes available.

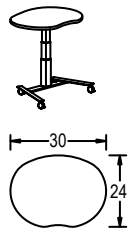
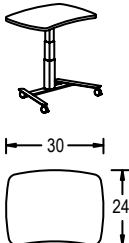
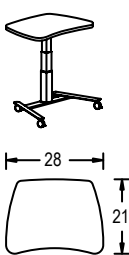
Finish specifications on page 1-4.

Available:

- Wire management, see page 3-3.
- Power/Data, see page 2-1 through 2-5.
- Swing storage drawer, see below.
- Additional edge finishes, see below.

### STARTING PRICE

Edge Style #10 Standard

Size	Model #	"A"	"B"	"C"
<b>Style 1</b>				
<i>KIDNEY TOP</i>				
30 x 24	TRA2KM3024	\$1364	\$1404	\$1420
				
<b>Style 2</b>				
<i>INVERTED RECTANGLE TOP</i>				
30 x 24	TRA2IRM3024	\$1364	\$1404	\$1420
				
<b>Style 3</b>				
<i>INVERTED TRAPEZOID TOP</i>				
28 x 21	TRA2ITM2821	\$1364	\$1404	\$1420
				

### ADDITIONAL BASE OPTIONS:

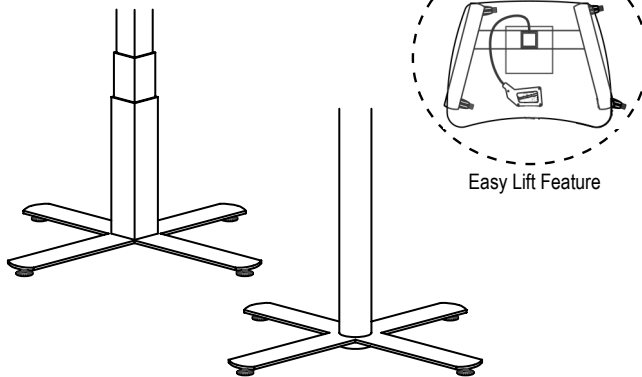
See page 1-2 for detailed information:

- Add \$87 list price per table for Silver Metallic Vinyl edge. Add code "20" to the end of the model number.
- Add \$87 list price per table for Vinyl Knife edge. Add code "25" to the end of the model number.
- Add \$90 list price for a Swing Storage Drawer. Add code "PEN" to the end of the model number. See image on left.
  - Black molded plastic design.
  - Stays hidden under top when not being used and pivots out for easy access.
  - Comes with built in pencil tray, tape dispenser, and holder for 3" x 3" Post It notes.
  - Half-round shape at 13 1/2" x 8"



# RAISE<sup>2</sup> SERIES

## ADJUSTABLE HEIGHT AND STATIC "X" BASE TABLES



### STANDARD FEATURES

Raise<sup>2</sup> features a softer feel with aluminum tee design to the feet. To adjust the height of the table simply squeeze the small handle underneath the table top.

- HPL tops are 1/4"-thick, available in 41 standard Group A finishes, and hundreds of non-standard Group B and C finishes.
  - Flat, impact-resistant edgebanding is standard. Other edge options are available. See page 1-2.
  - Easy Lift option adjusts from 27" to 45" high.
  - Static base comes with round column.
  - Metal bases available in (7) powdercoat finishes.
  - Bases have adjustable glides for leveling.
- Finish specifications on page 1-4.

### DIMENSIONS

### STARTING PRICE

Edge Style #10 Standard  
Refer to page 1-2 for Edge Profiles

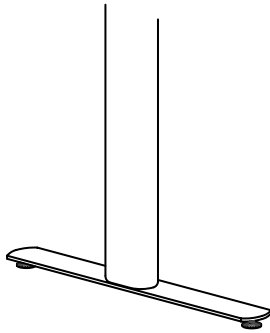
### Top Edge Detail Upgrades

Add Cost to Starting Prices for these Edge Profiles.

Size	Model #	"A"	"B"	"C"	Grp. 2	Grp. 3	Grp. 4
<b>Adjustable Height Tables with Easy Lift</b>							
<i>ROUND TOP</i>							
24" Dia.	TRA2RXEL24	\$987	\$1005	\$1012	\$66	\$256	\$410
30" Dia.	TRA2RXEL30	\$1041	\$1070	\$1080	\$81	\$315	\$504
36" Dia.	TRA2RXEL36	\$1137	\$1179	\$1193	\$96	\$374	\$599
42" Dia.	TRA2RXEL42	\$1213	\$1269	\$1290	\$111	\$433	\$693
<i>SQUARE TOP</i>							
24 x 24	TRA2SXEL2424	\$987	\$1005	\$1012	\$64	\$230	\$338
30 x 30	TRA2SXEL3030	\$1041	\$1070	\$1080	\$80	\$285	\$419
36 x 36	TRA2SXEL3636	\$1137	\$1179	\$1193	\$95	\$340	\$500
<b>Static "X" Tables at 29" High</b>							
<i>ROUND TOP</i>							
24" Dia. x 29	TRA2RXS2429	\$635	\$654	\$660	\$66	\$256	\$410
30" Dia. x 29	TRA2RXS3029	\$686	\$715	\$726	\$81	\$315	\$504
36" Dia. x 29	TRA2RXS3629	\$782	\$824	\$839	\$96	\$374	\$599
42" Dia. x 29	TRA2RXS4229	\$872	\$928	\$949	\$111	\$433	\$693
48" Dia. x 29	TRA2RXS4829	\$907	\$980	\$1008	\$126	\$492	\$788
<i>SQUARE TOP</i>							
24 x 24 x 29	TRA2SXS2424	\$635	\$654	\$660	\$64	\$230	\$338
30 x 30 x 29	TRA2SXS3030	\$686	\$715	\$726	\$80	\$285	\$419
36 x 36 x 29	TRA2SXS3636	\$782	\$824	\$839	\$95	\$340	\$500
42 x 42 x 29	TRA2SXS4242	\$872	\$928	\$949	\$110	\$396	\$581

# RAISE<sup>2</sup> SERIES

## STATIC "T" BASE TABLES



### STANDARD FEATURES

Raise<sup>2</sup> features a softer feel with aluminum tee design to the feet.

- HPL tops are 1/4"-thick, available in 41 standard Group A finishes, and hundreds of non-standard Group B and C finishes.
  - Flat, impact-resistant edgebanding is standard. Other edge options are available. See page 1-2.
  - Metal bases available in (8) powdercoat finishes.
  - Bases have adjustable glides for leveling.
  - T-bases come with an oval vertical column.
- Finish specifications on page 1-4.

### DIMENSIONS

### STARTING PRICE

Edge Style #10 Standard  
Refer to page 1-2 for Edge Profiles

### Top Edge Detail Upgrades

Add Cost to Starting Prices for these Edge Profiles.

Size	Model #	STARTING PRICE			Top Edge Detail Upgrades		
		"A"	"B"	"C"	Grp. 2	Grp. 3	Grp. 4
<b>Static "T" Tables at 29" High</b>							
<i>RECTANGLE TOP</i>							
24 x 42 x 29	TRA2STS244229	\$631	\$664	\$676	\$87	\$313	\$459
24 x 48 x 29	TRA2STS244829	\$647	\$685	\$698	\$95	\$340	\$500
24 x 60 x 29	TRA2STS246029	\$737	\$782	\$799	\$110	\$396	\$581
24 x 72 x 29	TRA2STS247229	\$789	\$844	\$865	\$126	\$451	\$662
24 x 84 x 29	TRA2STS248429	\$877	\$941	\$965	\$141	\$506	\$743
30 x 42 x 29	TRA2STS304229	\$735	\$776	\$790	\$95	\$340	\$500
30 x 48 x 29	TRA2STS304829	\$752	\$798	\$815	\$103	\$368	\$540
30 x 60 x 29	TRA2STS306029	\$849	\$907	\$928	\$118	\$423	\$621
30 x 72 x 29	TRA2STS307229	\$898	\$967	\$992	\$133	\$478	\$702
30 x 84 x 29	TRA2STS308429	\$973	\$1053	\$1083	\$149	\$534	\$783

