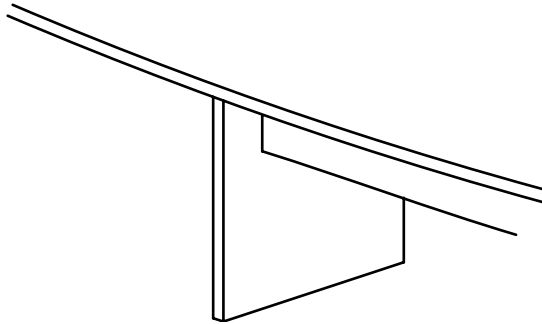


# PANELBASE SERIES

## 1-1/4" PANELBASE CONFERENCE TABLES



### STANDARD FEATURES

The 1 1/4" Panel Base Series features thin panel style bases manufactured to provide structure and strength.

- HPL tops are 1 1/4" thick, available in 41 standard Group A finishes, and hundreds of non-standard Group B and C finishes.
  - Flat, impact-resistant edgebanding is standard. Other edge options are available. See page 1-2.
  - Bases have adjustable leveling glides.
  - Bases made to match top finish.
  - Stretcher box provided between panel legs for stability.
- Finish specifications on page 1-4.

Available:

- Power/Data, see pages 2-1 through 2-5.

### DIMENSIONS

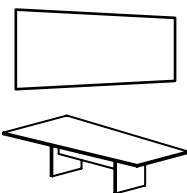
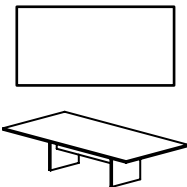
### STARTING PRICE

Edge Style #10 Standard  
Refer to page 1-2 for Edge Profiles

### Top Edge Detail Upgrades

Add Cost to Starting Prices for these Edge Profiles.

Size	Model #	"A"	"B"	"C"	Grp. 2	Grp. 3	Grp. 4
<b>Rectangle Tops</b>							
<i>1-PIECE TOP AND 2 BASES</i>							
42 x 84	CSP4284SQ	\$1223	\$1440	\$1521	\$164	\$589	\$864
42 x 96	CSP4296SQ	\$1420	\$1664	\$1754	\$180	\$644	\$945
48 x 96	CSP4896SQ	\$1499	\$1773	\$1874	\$187	\$672	\$986
<i>2-PIECE TOP AND 3 BASES</i>							
48 x 120	CSP48120SQ	\$2024	\$2352	\$2475	\$218	\$782	\$1148
60 x 120	CSP60120SQ	\$2297	\$2684	\$2827	\$233	\$837	\$1229
<i>2-PIECE TOP AND 4 BASES</i>							
48 x 144	CSP48144SQ	\$2452	\$2907	\$3075	\$249	\$892	\$1310
60 x 144	CSP60144SQ	\$2853	\$3314	\$3511	\$264	\$948	\$1391
<b>Wedge Tops</b>							
<i>1-PIECE TOP AND 2 BASES</i>							
42 x 84	CSP4284WD	\$1326	\$1544	\$1624	\$164	\$589	\$864
42 x 96	CSP4296WD	\$1538	\$1781	\$1872	\$180	\$644	\$945
48 x 96	CSP4896WD	\$1633	\$1907	\$2008	\$187	\$672	\$986
<i>2-PIECE TOP AND 3 BASES</i>							
48 x 120	CSP48120WD	\$2192	\$2520	\$2643	\$218	\$782	\$1148
60 x 120	CSP60120WD	\$2507	\$2894	\$3037	\$233	\$837	\$1229
<i>2-PIECE TOP AND 4 BASES</i>							
48 x 144	CSP48144WD	\$2654	\$3108	\$3277	\$249	\$892	\$1310
60 x 144	CSP60144WD	\$3105	\$3566	\$3763	\$264	\$948	\$1391
<i>2-PIECE TOP AND 4 BASES</i>							
48 x 168	CSP48168WD	\$2995	\$3486	\$3668	\$280	\$1003	\$1472
60 x 168	CSP60168WD	\$3413	\$3993	\$4207	\$295	\$1058	\$1553



### NOTE:

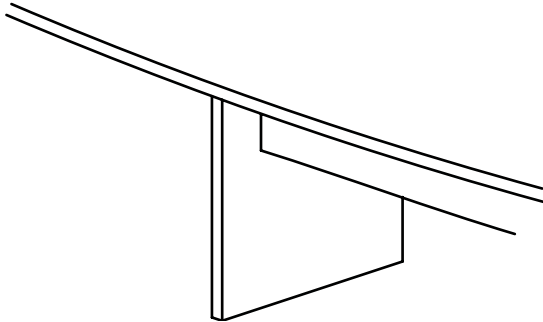
- Tops 120" and longer are shipped in two pieces. They include draw-tight hardware and wafers for alignment during installation.
- Alignment of woodgrain patterns between the two halves of the top cannot be guaranteed.



NEED A DIFFERENT SIZE? PRIMEWAY HAS FULL CUSTOM CAPABILITIES. PLEASE CONSULT OUR SALES TEAM FOR DETAILS.

# PANELBASESERIES

## 1-1/4" PANELBASE CONFERENCE TABLES



### STANDARD FEATURES

The 1 1/4" Panel Base Series features thin panel style bases manufactured to provide structure and strength.

- HPL tops are 1/4" thick, available in 41 standard Group A finishes, and hundreds of non-standard Group B and C finishes.
- Flat, impact-resistant edgebanding is standard. Other edge options are available. See page 1-2.
- Bases have adjustable leveling glides.
- Bases made to match top finish.
- Stretcher box provided between panel legs for stability.

Available:

- Power/Data, see pages 2-1 through 2-5.

### DIMENSIONS

### STARTING PRICE

Edge Style #10 Standard  
Refer to page 1-2 for Edge Profiles

### Top Edge Detail Upgrades

Add Cost to Starting Prices for these Edge Profiles.

Size	Model #	"A"	"B"	"C"	Grp. 2	Grp. 3	Grp. 4
<b>Boat and Diamond Tops</b>							
<i>Please add code "BT" for BOAT tops and "DM" for DIAMOND tops.</i>							
<b>1-PIECE TOP AND 2 BASES</b>							
42 x 84	CSP4284-__	\$1352	\$1568	\$1650	\$164	\$743	\$1164
42 x 96	CSP4296-__	\$1567	\$1811	\$1901	\$180	\$818	\$1284
48 x 96	CSP4896-__	\$1667	\$1940	\$2042	\$187	\$846	\$1324
<b>2-PIECE TOP AND 3 BASES</b>							
48 x 120	CSP48120-__	\$2234	\$2562	\$2685	\$218	\$996	\$1564
60 x 120	CSP60120-__	\$2559	\$2947	\$3090	\$233	\$1051	\$1645
48 x 144	CSP48144-__	\$2704	\$3159	\$3327	\$249	\$1146	\$1804
60 x 144	CSP60144-__	\$3168	\$3629	\$3826	\$264	\$1201	\$1885
<b>2-PIECE TOP AND 4 BASES</b>							
48 x 168	CSP48168-__	\$3053	\$3545	\$3726	\$280	\$1296	\$2044
60 x 168	CSP60168-__	\$3486	\$4066	\$4280	\$295	\$1351	\$2125
<b>Bow End and Bullet Tops</b>							
<i>Please add code "BU" for BULLET tops and "BE" for BOW END tops</i>							
<b>1-PIECE TOP AND 2 BASES</b>							
42 x 84	CSP4284-__	\$1352	\$1568	\$1650	\$164	\$593	\$898
42 x 96	CSP4296-__	\$1567	\$1811	\$1901	\$180	\$648	\$979
48 x 96	CSP4896-__	\$1667	\$1940	\$2042	\$187	\$678	\$1026
<b>2-PIECE TOP AND 3 BASES</b>							
48 x 120	CSP48120-__	\$2234	\$2562	\$2685	\$218	\$788	\$1188
60 x 120	CSP60120-__	\$2559	\$2947	\$3090	\$233	\$847	\$1283
48 x 144	CSP48144-__	\$2704	\$3159	\$3327	\$249	\$899	\$1350
60 x 144	CSP60144-__	\$3168	\$3629	\$3826	\$264	\$958	\$1445
<b>2-PIECE TOP AND 4 BASES</b>							
48 x 168	CSP48168-__	\$3053	\$3545	\$3726	\$280	\$1009	\$1512
60 x 168	CSP60168-__	\$3486	\$4066	\$4280	\$295	\$1068	\$1607

### NOTE:

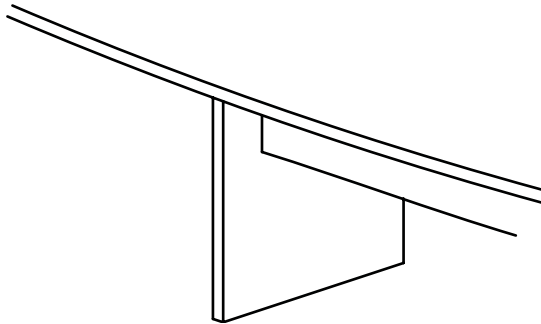
- Tops 120" and longer are shipped in two pieces. They include draw-tight hardware and wafers for alignment during installation.
- Alignment of woodgrain patterns between the two halves of the top cannot be guaranteed.



NEED A DIFFERENT SIZE? PRIMEWAY HAS FULL CUSTOM CAPABILITIES. PLEASE CONSULT OUR SALES TEAM FOR DETAILS.

# PANELBASESERIES

## 1-1/4" PANELBASE CONFERENCE TABLES



### STANDARD FEATURES

The 1 1/4" Panel Base Series features thin panel style bases manufactured to provide structure and strength.

- HPL tops are 1/4"-thick, available in 41 standard Group A finishes, and hundreds of non-standard Group B and C finishes.
- Flat, impact-resistant edgebanding is standard. Other edge options are available. See page 1-2.
- Bases have adjustable leveling glides.
- Bases made to match top finish.
- Stretcher box provided between panel legs for stability.

Available:

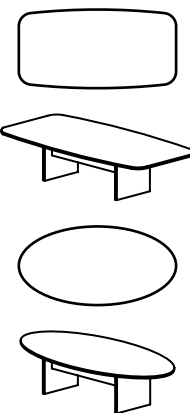
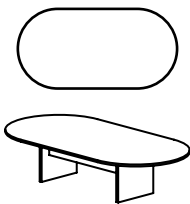
- Power/Data, see pages 2-1 through 2-5.

### DIMENSIONS

**STARTING PRICE**  
Edge Style #10 Standard  
Refer to page 1-2 for Edge Profiles

**Top Edge Detail Upgrades**  
Add Cost to Starting Prices for these Edge Profiles.

Size	Model #	"A"	"B"	"C"	Grp. 2	Grp. 3	Grp. 4
<b>Racetrack Tops</b>							
<i>1-PIECE TOP AND 2 BASES</i>							
42 x 84	CSP4284RT	\$1365	\$1544	\$1663	\$164	\$607	\$945
42 x 96	CSP4296RT	\$1580	\$1781	\$1915	\$180	\$662	\$1026
48 x 96	CSP4896RT	\$1685	\$1907	\$2059	\$187	\$693	\$1080
<i>2-PIECE TOP AND 3 BASES</i>							
48 x 120	CSP48120RT	\$2255	\$2520	\$2706	\$218	\$804	\$1242
60 x 120	CSP60120RT	\$2586	\$2894	\$3116	\$233	\$867	\$1350
<i>2-PIECE TOP AND 4 BASES</i>							
48 x 144	CSP48144RT	\$2730	\$3108	\$3352	\$249	\$914	\$1404
60 x 144	CSP60144RT	\$3200	\$3566	\$3857	\$264	\$977	\$1512
<i>2-PIECE TOP AND 4 BASES</i>							
48 x 168	CSP48168RT	\$3082	\$3486	\$3756	\$280	\$1003	\$1472
60 x 168	CSP60168RT	\$3523	\$3993	\$4317	\$295	\$1087	\$1674
<b>Boat-R and Oval Tops</b>							
<i>Please add code "BR" for BOAT-R tops and "OV" for OVAL tops.</i>							
<i>1-PIECE TOP AND 2 BASES</i>							
42 x 84	CSP4284-__	\$1365	\$1544	\$1663	\$164	\$800	\$1280
42 x 96	CSP4296-__	\$1580	\$1781	\$1915	\$180	\$875	\$1400
48 x 96	CSP4896-__	\$1685	\$1907	\$2059	\$187	\$913	\$1460
<i>2-PIECE TOP AND 3 BASES</i>							
48 x 120	CSP48120-__	\$2255	\$2520	\$2706	\$218	\$1063	\$1700
60 x 120	CSP60120-__	\$2586	\$2894	\$3116	\$233	\$1138	\$1820
<i>2-PIECE TOP AND 4 BASES</i>							
48 x 144	CSP48144-__	\$2730	\$3108	\$3352	\$249	\$1213	\$1940
60 x 144	CSP60144-__	\$3200	\$3566	\$3857	\$264	\$1288	\$2060
<i>2-PIECE TOP AND 4 BASES</i>							
48 x 168	CSP48168-__	\$3082	\$3486	\$3756	\$280	\$1363	\$2180
60 x 168	CSP60168-__	\$3523	\$3993	\$4317	\$295	\$1438	\$2300



### NOTE:

- Tops 120" and longer are shipped in two pieces. They include draw-tight hardware and wafers for alignment during installation.
- Alignment of woodgrain patterns between the two halves of the top cannot be guaranteed.



NEED A DIFFERENT SIZE? PRIMEWAY HAS FULL CUSTOM CAPABILITIES. PLEASE CONSULT OUR SALES TEAM FOR DETAILS.