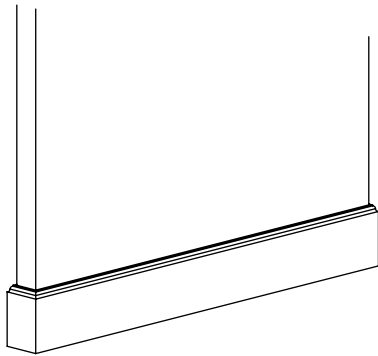


TRADITIONAL SERIES

RAISED BASE CONFERENCE TABLE



STANDARD FEATURES

The Traditional Series features a raised wood base and classic wood edge detail that make this table timeless.

- HPL tops are 1/4" thick, available in 41 standard Group A finishes, and hundreds of non-standard Group B and C finishes.
- Hardwood top edge and traditional raised base detail on panel leg are finished to match woodgrain finishes only.
- Bases have adjustable leveling glides.
- Bases made to match top finish.
- Stretcher support provided.
- Hardwood components are stained to match standard Primeway woodgrain laminates. An upcharge will be applied when a non-standard woodgrain finish is specified.

Finish specifications on page 1-4.

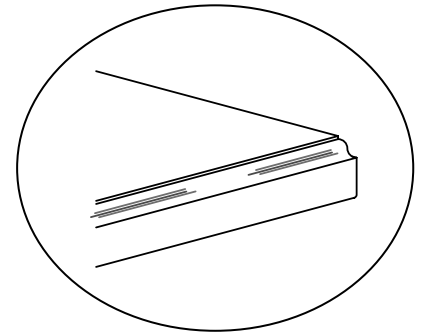
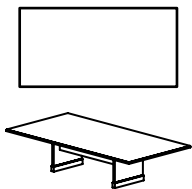
Available:

- Power/Data, see pages 2-1 through 2-5.

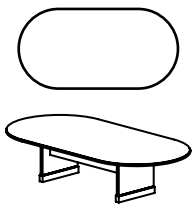
DIMENSIONS

STARTING PRICE Wood Edge Standard

Size	Model #	"A"	"B"	"C"
Rectangle Tops				
<i>1-PIECE TOP AND 2 BASES</i>				
42 x 84	CTR4284SQ	\$2715	\$3301	\$3383
42 x 96	CTR4296SQ	\$3019	\$3633	\$3722
48 x 96	CTR4896SQ	\$3139	\$3783	\$3884
<i>2-PIECE TOP AND 3 BASES</i>				
48 x 120	CTR48120SQ	\$3765	\$4463	\$4587
60 x 120	CTR60120SQ	\$4090	\$4847	\$4991
48 x 144	CTR48144SQ	\$4996	\$5821	\$5989
60 x 144	CTR60144SQ	\$5405	\$6306	\$6503
<i>2-PIECE TOP AND 4 BASES</i>				
48 x 168	CTR48168SQ	\$5465	\$6327	\$6508
60 x 168	CTR60168SQ	\$5887	\$6837	\$7051
Racetrack Tops				
<i>1-PIECE TOP AND 2 BASES</i>				
42 x 84	CTR4284RT	\$3464	\$3486	\$3605
42 x 96	CTR4296RT	\$3706	\$3831	\$3965
48 x 96	CTR4896RT	\$3811	\$4001	\$4163
<i>2-PIECE TOP AND 3 BASES</i>				
48 x 120	CTR48120RT	\$4320	\$4725	\$4912
60 x 120	CTR60120RT	\$4622	\$5178	\$5400
48 x 144	CTR48144RT	\$5436	\$6116	\$6360
60 x 144	CTR60144RT	\$5832	\$6679	\$6971
<i>2-PIECE TOP AND 4 BASES</i>				
48 x 168	CTR48168RT	\$5788	\$6656	\$6926
60 x 168	CTR60168RT	\$6210	\$7252	\$7576



Edge detail for Traditional Series top.



NOTE:

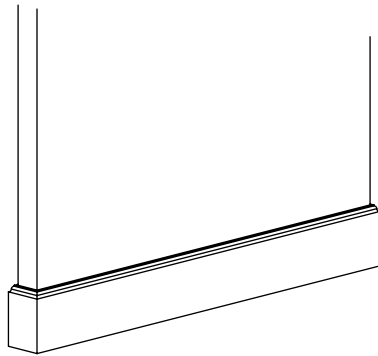
- Tops 120" and longer are shipped in two pieces. They include draw-tight hardware and wafers for alignment during installation.
- Alignment of woodgrain patterns between the two halves of the top cannot be guaranteed.



NEED A DIFFERENT SIZE? PRIMEWAY HAS FULL CUSTOM CAPABILITIES. PLEASE CONSULT OUR SALES TEAM FOR DETAILS.

TRADITIONAL SERIES

RAISED BASE CONFERENCE TABLE



STANDARD FEATURES

The Traditional Series features a raised wood base and classic wood edge detail that make this table timeless.

- HPL tops are 1/4" thick, available in 41 standard Group A finishes, and hundreds of non-standard Group B and C finishes.
- Hardwood top edge and traditional raised base detail on panel leg are finished to match woodgrain finishes only.
- Bases have adjustable leveling glides.
- Bases made to match top finish.
- Stretcher support provided.
- Hardwood components are stained to match standard Primeway woodgrain laminates. An upcharge will be applied when a non-standard woodgrain finish is specified.

Finish specifications on page 1-4.

Available:

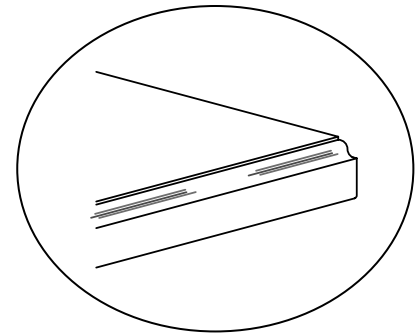
- Power/Data, see pages 2-1 through 2-5.

DIMENSIONS

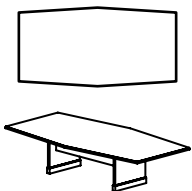
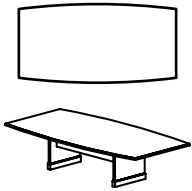
STARTING PRICE

Wood Edge Standard

Size	Model #	"A"	"B"	"C"
Boat Tops				
<i>1-PIECE TOP AND 2 BASES</i>				
42 x 84	CTR4284BT	\$3451	\$3730	\$3811
42 x 96	CTR4296BT	\$3693	\$4119	\$4208
48 x 96	CTR4896BT	\$3793	\$4288	\$4390
<i>2-PIECE TOP AND 3 BASES</i>				
48 x 120	CTR48120BT	\$4299	\$5089	\$5213
60 x 120	CTR60120BT	\$4596	\$5526	\$5669
48 x 144	CTR48144BT	\$5410	\$6567	\$6735
60 x 144	CTR60144BT	\$5801	\$7115	\$7312
<i>2-PIECE TOP AND 4 BASES</i>				
48 x 168	CTR48168BT	\$5759	\$7193	\$7374
60 x 168	CTR60168BT	\$6173	\$7777	\$7990
Diamond Tops				
<i>1-PIECE TOP AND 2 BASES</i>				
42 x 84	CTR4284DM	\$3451	\$3730	\$3811
42 x 96	CTR4296DM	\$3693	\$4119	\$4208
48 x 96	CTR4896DM	\$3793	\$4288	\$4390
<i>2-PIECE TOP AND 3 BASES</i>				
48 x 120	CTR48120DM	\$4299	\$5089	\$5213
60 x 120	CTR60120DM	\$4596	\$5526	\$5669
48 x 144	CTR48144DM	\$5410	\$6567	\$6735
60 x 144	CTR60144DM	\$5801	\$7115	\$7312
<i>2-PIECE TOP AND 4 BASES</i>				
48 x 168	CTR48168DM	\$5759	\$7193	\$7374
60 x 168	CTR60168DM	\$6173	\$7777	\$7990



Edge detail for Traditional Series top.



NOTE:

- Tops 120" and longer are shipped in two pieces. They include draw-tight hardware and wafers for alignment during installation.
- Alignment of woodgrain patterns between the two halves of the top cannot be guaranteed.



NEED A DIFFERENT SIZE? PRIMEWAY HAS FULL CUSTOM CAPABILITIES. PLEASE CONSULT OUR SALES TEAM FOR DETAILS.